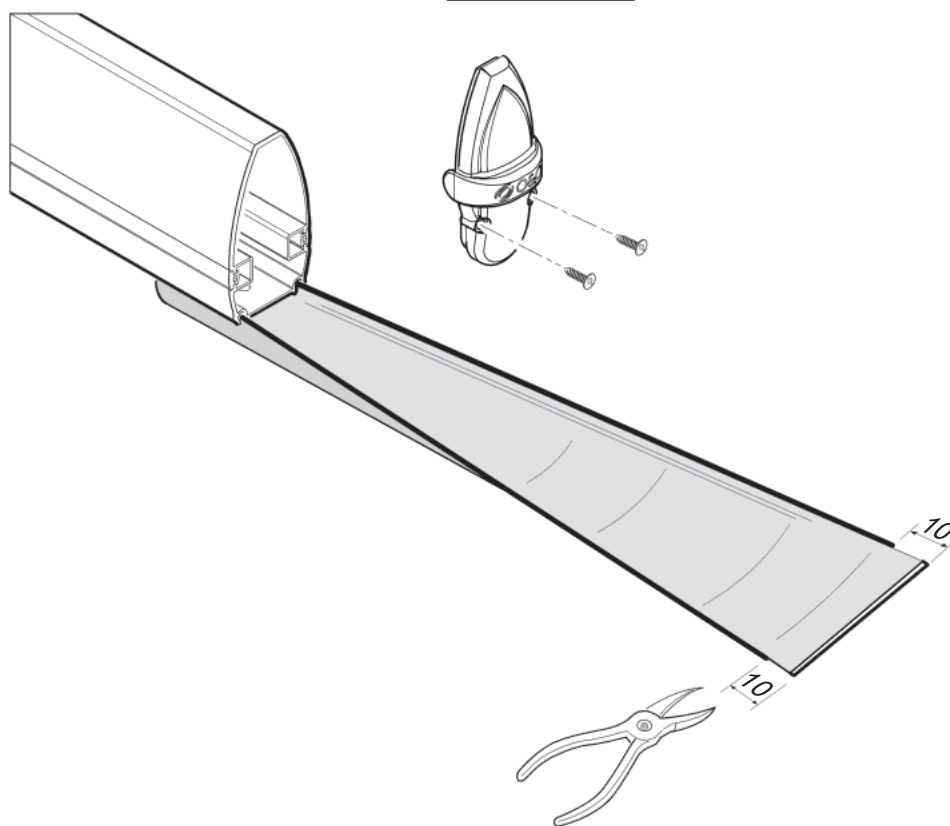


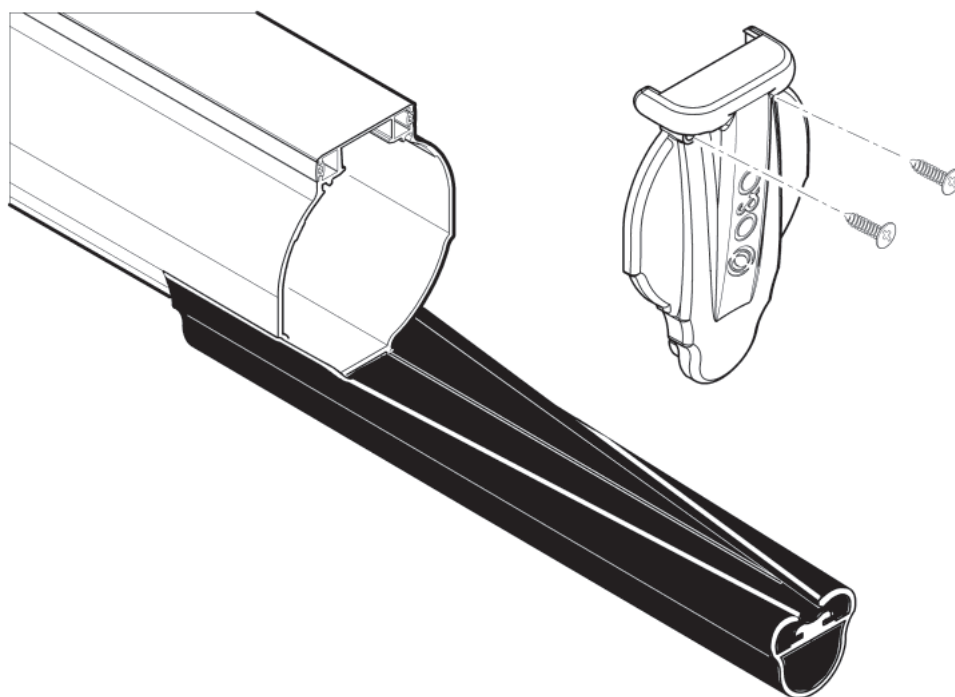
KIT-GOM 3-5

BL-SMALL



KIT-GOM 8

BL-LARGE



Cod. 035368 Rev.000 del 19/07/10