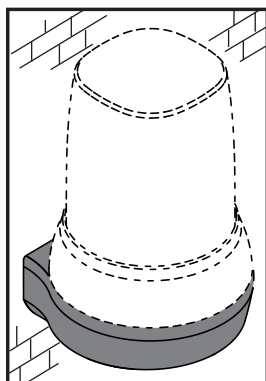
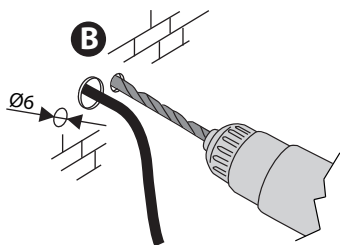
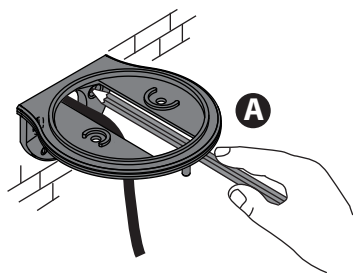
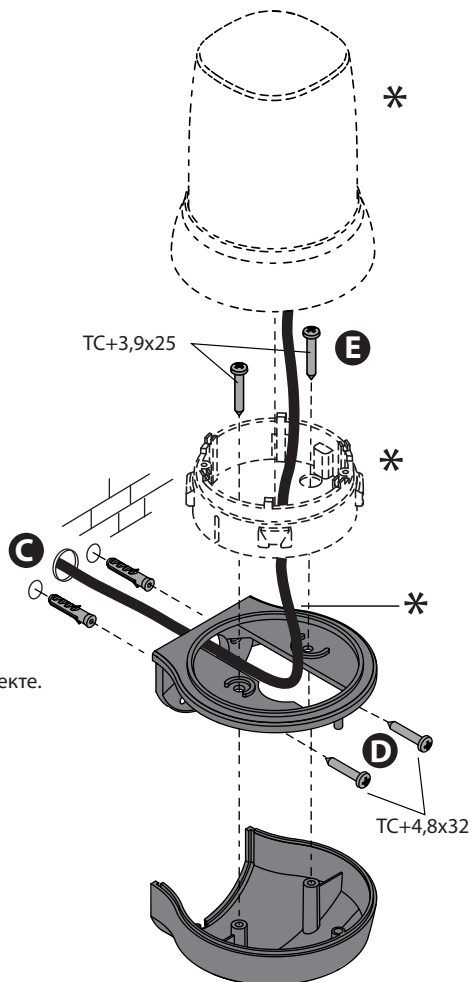


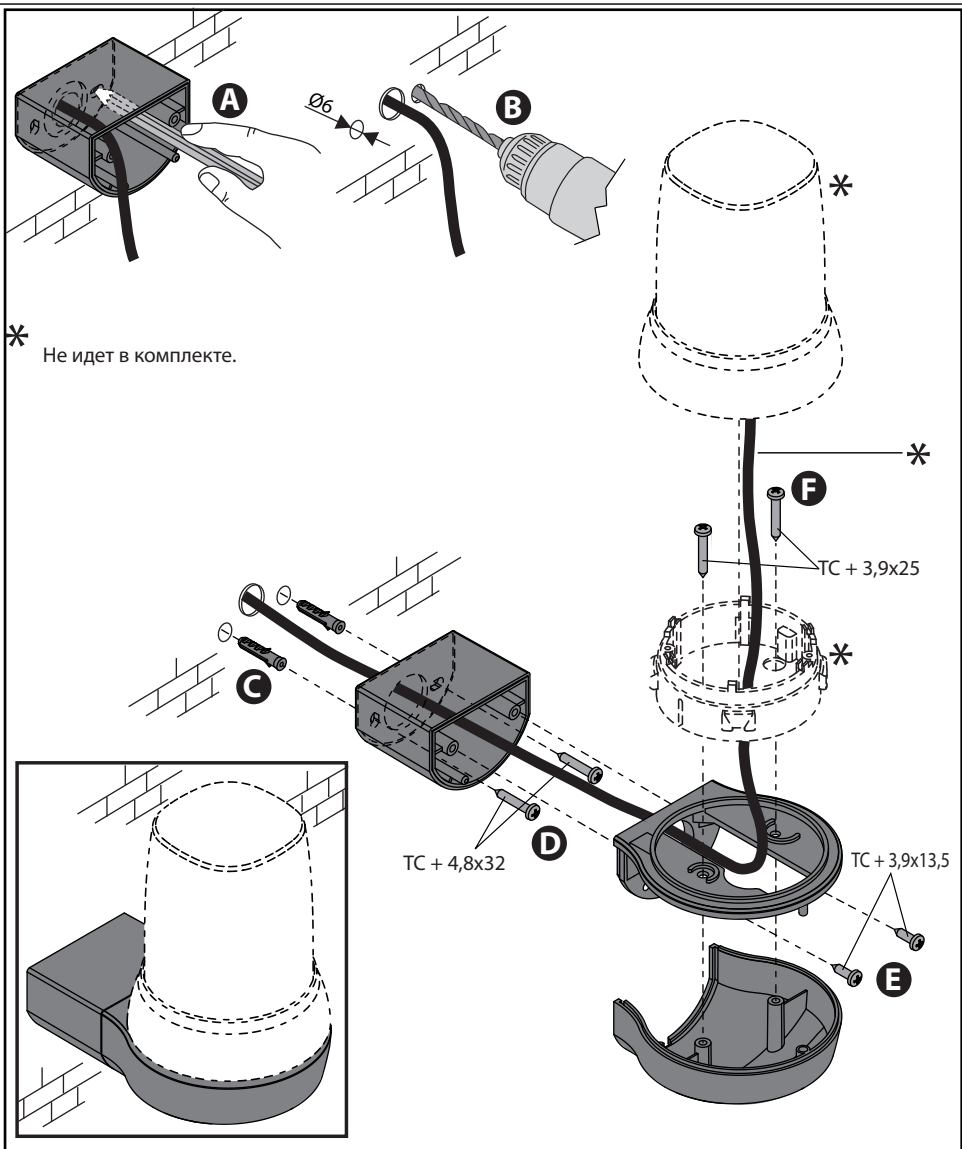
RWS

ДЕРЖАТЕЛЬ НАСТЕННЫЙ ДЛЯ СИГНАЛЬНОЙ ЛАМПЫ



\* Не идет в комплекте.





#### BFT S.P.A.

Via Lago di Vico 44, 36015 Schio (Vi) - Italy  
tel. +39 0445 69 65 11 / fax. +39 0445 69 65 22  
www.bft.it / e-mail: info@bft.it

#### AUTOMATISMES BFT FRANCE

13 Bd. E. Michelet, 69008 Lyon - France  
tel. +33 (0)4 78 76 09 88 - fax +33 (0)4 78 76 92 23  
e-mail: contacts@automatismes-bft-france.fr

#### BFT Torantriebssysteme GmbH

Faber-Castell-Straße 29  
D-90522 Oberasbach - Germany  
tel. +49 (0)911 766 00 90 - fax +49 (0)911 766 00 99  
e-mail: service@bft-torantrieb.de

#### BFT Automation UK Ltd

Unit 8E, Newby Road  
Industrial Estate Hazel Grove, Stockport,  
Cheshire, SK7 5DA - UK  
tel. +44 (0) 161 4560456 - fax +44 (0) 161 4569090  
e-mail: info@bftautomation.co.uk

#### BFT-ADRIA d.o.o.

Obrovac 39  
51218 Dražice (Rijeka)  
Hrvatska - Croatia  
tel. +385 (0)51 502 640 - fax +385 (0)51 502 644  
e-mail: info@bft.hr

#### BFT Polska Sp. z o.o.

ul. Kolacińska 35  
03-171 Warszawa - Poland  
tel. +48 22 814 12 22 - fax +48 22 814 39 18  
e-mail: biuro@bft.com.pl

#### BFT USA BFT U.S., Inc.

6100 Broken Sound Pkwy N.W., Suite 14  
Boca Raton, FL 33487 - U.S.A.  
T: +1 561.995.8155 - F: +1 561.995.8160  
TOLL FREE 1.877.995.8155 - info.bft@bft-usa.com

#### BFT GROUP ITALIBERICA DE AUTOMATISMOS S.L.

Pol. Palou Nord,  
Sector F - C/Ami - Can Basa nº 6-8 08401 Granollers -  
(Barcelona) - Spain  
tel. +34 938 61 48 28 - fax +34 938 70 03 94  
e-mail: bftbcn@bftautomatismos.com

#### Pl. Comendador - C/

informatica, Nave 22 - 19200 Azuqueca de henares  
(Guadalajara) - Spain  
tel. +34 949 26 32 00 - fax +34 949 26 24 51  
e-mail: administracion@bftautomatismos.com

#### BFT SA-COMERCIO DE AUTOMATISMOS E MATERIAL DE SEGURANCA

Urbanizaçao da Pedralha Lote 9 - Apartado 8123,  
3020-305 COIMBRA - PORTUGAL  
tel. +351 239 082 790 - fax +351 239 082 799  
e-mail: geral@bftportugal.com

