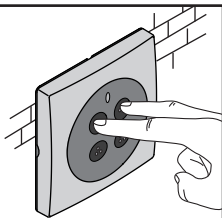


hidden key



# RB RADIO BUTTONS 4CH

DICHIARAZIONE DI CONFORMITÀ / DECLARATION OF CONFORMITY / DÉCLARATION DE CONFORMITÉ  
 KONFORMITÄTSERKLÄRUNG / DECLARACION DE CONFORMIDAD / DECLARAÇÃO DE CONFORMIDADE

Indirizzo / Address / Adresse / Acrese / Dirección / Endereço

BFT S.p.a.  
 Via Lago di Vico 44  
 36015 - Schio  
 VICENZA - ITALY

- Dichiara sotto la propria responsabilità che il prodotto. / Declares Under its own responsibility that the following product:  
 / Déclare sous sa propre responsabilité que le produit. / Erklärt auf eigene Verantwortung, daß das Produkt. / Declara, bajo su propia responsabilidad, que el producto. / Declara, sob a sua responsabilidade, que o produto

Sistema rad.comando / Radio control system / Système radiocommandé / Fernsteuerungssystem / Sistema de radiomando  
 Sistema radiocomando

RB

- È conforme ai requisiti essenziali di sicurezza delle Direttive. / It complies with the main safety requirements of the following Directives: / Est conforme aux exigences essentielles de sécurité des Directives: / Es entspricht den grundlegenden Sicherheitsbedingungen der Direktiven. / Es conforme a los requisitos esenciales de seguridad de las Directivas. / Esta conforme aos requisitos essenciais de segurança das Directivas:

APPARECCHIATURE RADIO / RADIO SETS / INSTALLATIONS RADIO / RADIOAPPARATE / RADIOEQUIPOS /  
 RADIOAPARATOS 90/5/CEE (ETSI EN 301 489-3 (2000) + ETSI FN 301 489-1 (2000), ETSI EN 300 220-3  
 (2000), EN80990 + EN50371) e modifiche successive / and subsequent amendments / et modifications  
 successives / und ihren nachfolgende Änderungen / e modificações sucessivas / y modificaciones sucesivas).

SCHEM. 13/02/2008

Il Rappresentante Legale / The legal Representative  
 Le Représentant Légal / Der gesetzliche Vertreter  
 El Representante Legal / O Representante legal

*(Signature)*  
 (GIANCARI G. RONCIGLIO)

1) TECHNICAL SPECIFICATIOS

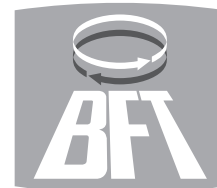
Frequency:.....433.92MHz  
 battery:.....12V  
 Range: ..... 40 / 60 m  
 mod:.....RB  
 Protection:.....IP 4X

2) MAINTENANCE

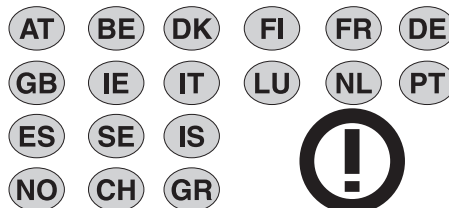
Any reduction in the transmitter capacity may be due to the batteries getting flat. If the LED of the transmitter flashes when pressing T1, it means that the batteries are flat and must be replaced. Instructions are subject to change without notice. The terminals of the batteries should not be short-circuited or touched with the hands.

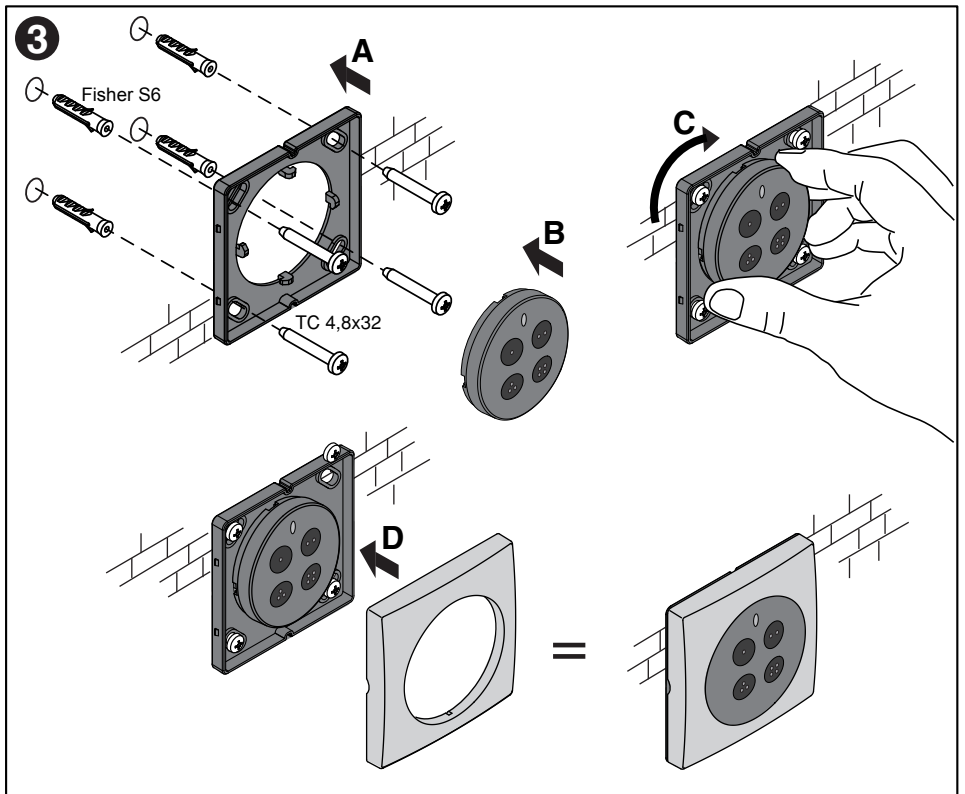
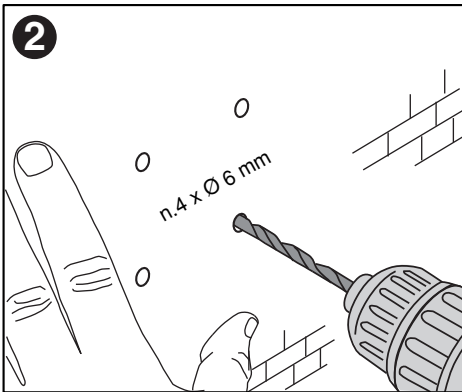
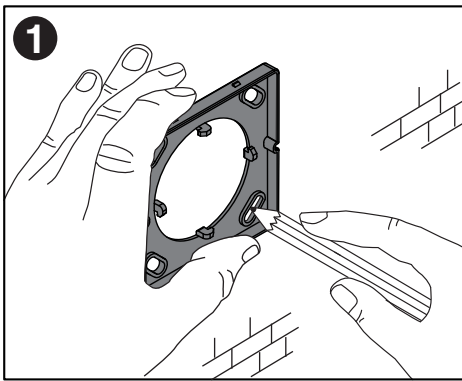
**AZIENDA CON SISTEMA DI GESTIONE  
 INTEGRATO CERTIFICATO DA DNV  
 = UNI EN ISO 9001:2000 =  
 UNI EN ISO 14001:2004**

Via Lago di Vico 44  
 36015 Schio (VI) - Italy  
 Tel. +39 0445 69 65 11  
 Fax. +39 0445 69 65 22  
 www.bft.it  
 e-mail: info@bft.it

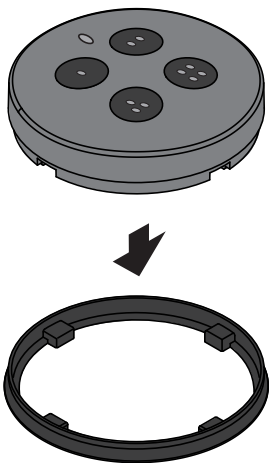


*Radiocontrol for doors and gates to be used in the following countries:*

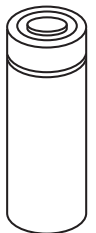
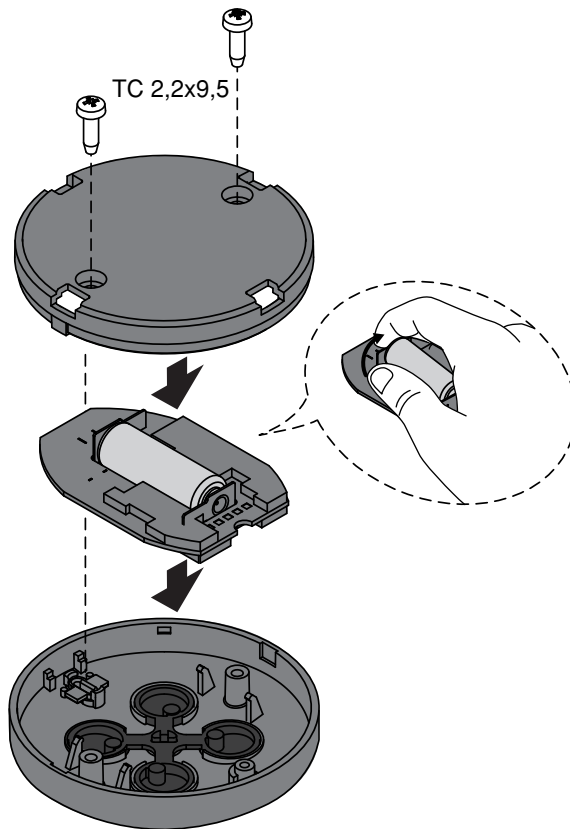




### TABLE INSTALLATION



### BATTERY REPLACEMENT



**BFT S.P.A.**  
Via Lago di Vico 44, 36015 Schio (VI) - **Italy**  
tel. +39 0445 69 65 11 / fax. +39 0445 69 65 22  
www.bft.it / e-mail: info@bft.it

**AUTOMATISMES BFT FRANCE**  
13 Bd. E. Michelet, 69008 Lyon - **France**  
tel. +33 (0)4 78 76 09 88 - fax +33 (0)4 78 76 92 23  
e-mail: contacts@automatismes-bft-france.fr



**BFT Torantriebssysteme GmbH**  
Faber-Castell-Straße 29  
D - 90522 Oberasbach - **Germany**  
tel. +49 (0)911 766 00 90 - fax +49 (0)911 766 00 99  
e-mail: service@bft-torantriebe.de

**BFT Automation UK Ltd**  
Unit 8E, Newby Road  
Industrial Estate Hazel Grove, Stockport,  
Cheshire, SK7 5DA - **UK**  
tel. +44 (0) 161 4560456 - fax +44 (0) 161 4569090  
e-mail: info@bftautomation.co.uk

**BFT BENELUX SA**  
Parc Industriel 1, Rue du commerce 12  
1400 Nivelles - **Belgium**  
tel. +32 (0)67 55 02 00 - fax +32 (0)67 55 02 01  
e-mail: info@bftbenelux.be

**BFT-ADRIA d.o.o.**  
Obrovac 39  
51218 Dražica (Rijeka)  
Hrvatska - **Croatia**  
tel. +385 (0)51 502 640 - fax +385 (0)51 502 644  
e-mail: info@bft.hr

**BFT Polska Sp. z o.o.**  
ul. Kolačińska 35  
03-171 Warszawa - **Poland**  
tel. +48 22 814 12 22 - fax +48 22 814 39 18  
e-mail: biuro@bft.com.pl

**BFT USA BFT U.S., Inc.**  
6100 Broken Sound Pkwy. N.W., Suite 14  
Boca Raton, FL 33487 - **U.S.A.**  
T: +1 561.995.8155 - F: +1 561.995.8160  
TOLL FREE 1.877.995.8155 - info.bft@bft-usa.com

### BFT GROUP ITALIBERICA DE AUTOMATISMOS S.L.

**Pol. Palou Nord,**  
Sector F - C/Cami - Can Basa nº 6-8 08401 Granollers -  
**(Barcelona) - Spain**  
tel. +34 938 61 48 28 - fax +34 938 70 03 94  
e-mail: bftbcn@bftautomatismos.com

**Pl. Comendador - C/**  
informática, Nave 22 - 19200 Azuqueca de henares  
**(Guadalajara) - Spain**  
tel. +34 949 26 32 00 - fax +34 949 26 24 51  
e-mail: administracion@bftautomatismos.com

**BFT SA-COMERCIO DE AUTOMATISMOS E MATERIAL DE SEGURANCA**  
Urbanizaçao da Pedrulha Lote 9 - Apartado 8123,  
3020-305 COIMBRA - **PORTUGAL**  
tel. +351 239 082 790 - fax +351 239 082 799  
e-mail: geral@bftportugal.com